



Dark Bronze

Energy Information

(56" at high speed)

AIRFLOW
6374
 Cubic Feet Per Minute

ELECTRICITY USE
28.5
 Watts (excludes lights)

AIRFLOW EFFICIENCY
224
 Cubic Feet Per Minute Per Watt

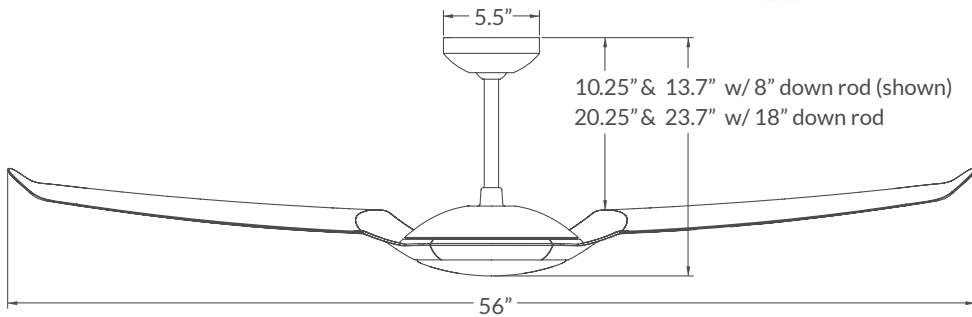
>> Bright Nickel with Graywash Blades



Gloss White with 570 Light



Bright Nickel



IC/Air3

Includes 8" and 18" down rods, yielding 13.7" or 23.7" overall lengths.
 Optional down rods available.

	Finish	Blade Span	Blade Color	Light Option	Control Option
#IC3					
	▲ BN Bright Nickel ▲ DB Dark Bronze ▲ GW Gloss White	▲ 56 56" Span	▲ NK Nickel ▲ DK Dark ▲ WH White ▲ CL Clear ▲ EB Ebony ▲ GY Graywash ▲ MG Mahogany ▲ MP Maple ▲ WW Whitewash	▲ NL No Light ▲ 570 20W LED	▲ WC Fan Speed Only ▲ RC Remote Control ▲ CC Combo Wall/Remote

