



Bright Nickel

**Energy Information**

(56" at high speed)

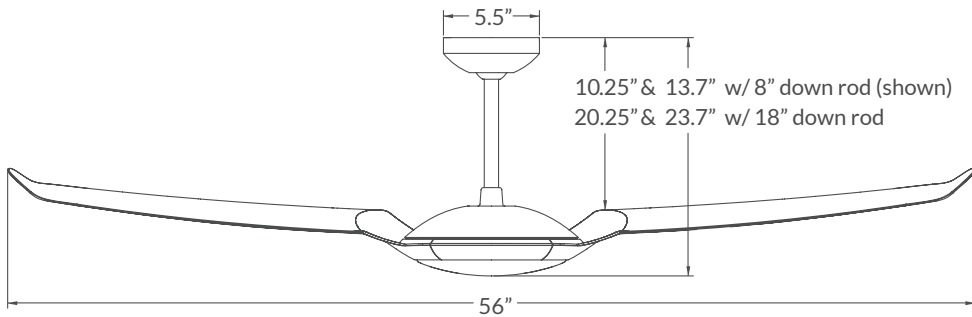
**AIRFLOW**  
**7151**  
 Cubic Feet Per Minute

**ELECTRICITY USE**  
**32**  
 Watts (excludes lights)

**AIRFLOW EFFICIENCY**  
**225**  
 Cubic Feet Per Minute Per Watt



Dark Bronze with Dark Blades



Gloss White

**IC/Air2**

Includes 8" and 18" down rods, yielding 13.7" or 23.7" overall lengths.  
 Optional down rods available.

	Finish	Blade Span	Blade Color	Light Option	Control Option
<b>#IC2</b>					
	▲ <b>BN</b> Bright Nickel ▲ <b>DB</b> Dark Bronze ▲ <b>GW</b> Gloss White	▲ <b>56</b> 56" Span	▲ <b>NK</b> Nickel ▲ <b>DK</b> Dark ▲ <b>WH</b> White ▲ <b>CL</b> Clear ▲ <b>EB</b> Ebony ▲ <b>GY</b> Graywash ▲ <b>MG</b> Mahogany ▲ <b>MP</b> Maple ▲ <b>WW</b> Whitewash	▲ <b>NL</b> No Light ▲ <b>570</b> 20W LED	▲ <b>WC</b> Fan Speed Only ▲ <b>RC</b> Remote Control ▲ <b>CC</b> Combo Wall/Remote



Dark Bronze with 570 Light

