

FLOS

Taraxacum - Specification Sheet

by Achille and Pier Giacomo Castiglioni, 1960

Mounting	Ceiling Pendant
Lamp (Bulb) Description	1 x 150W T-10 Medium Frosted Halogen (Included)
Environment	Indoor - Dry Location
Dimming	Dimmable
Finish	White
Technical and Product Description	TARAXACUM pendant lamp providing diffused light. White powder coated internal steel structure sprayed with a unique cocoon resin to create the diffuser which is then protected by a transparent sprayed on finish.

Electrical

Voltage	120
Switching	NA
IP Rating	IP20

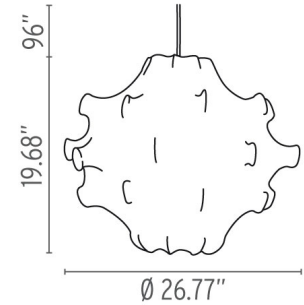
Physical

Cord Length (inches)	96" - White
Construction Material	Cocoon Plastic, Steel
Weight	33.07 lbs



○ FU740109 White

Dimensional Image



Certifications



Lamping (Bulb)



150W T-10 Medium Frosted Halogen

