

Cadmo Wall

1372018A

SPECIFICATIONS



Design By

Karim Rashid

Collection

Design



Specifications

Lamp type	FLU
Lamp	2X26W G24Q-3 OR 2X32W G24Q-3
Lamp Included	No
Control type	On/Off
Input Voltage	120-277V
Power consumption	N/A
Ballast	ADVANCE - 1 X ICF-2S42-M2-LD

Colors & Finishes

Black

Materials

- Body in injection-molded thermoplastic material
- Reflector in optic aluminum

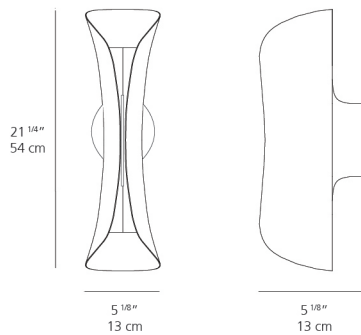
Features & Accessories

Available in these colors: Gloss Black, Gloss White and Gloss Red.

Available in Wall and Floor models.

Available in GU10 LED and fluorescent

Dimensions



Packaging

1 Box

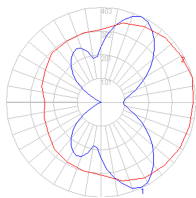
1 x 28" x 9-9/16" x 9-15/16" / 4.52 lbs - 71 cm x 24 cm x 25 cm / 2.05 kg

Light distribution

DIRECT/INDIRECT

Luminaire weight

2.31 lbs / 1.05 kg

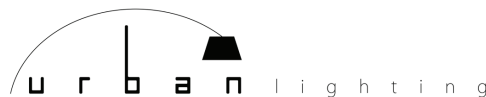


Red = Max Cd. Through Vertical plane

Blue = Max Cd. Through Horizontal plane

Warranty

1 year limited warranty



619.232.6064 | sales@urbanlighting.net | 301 4th Avenue | San Diego, CA 92101

last updated: 2015-12-30

We reserve the right to change specifications of our products.
For the latest product information please visit www.artemide.net
2015 © Artemide North America | All rights reserved

Artemide