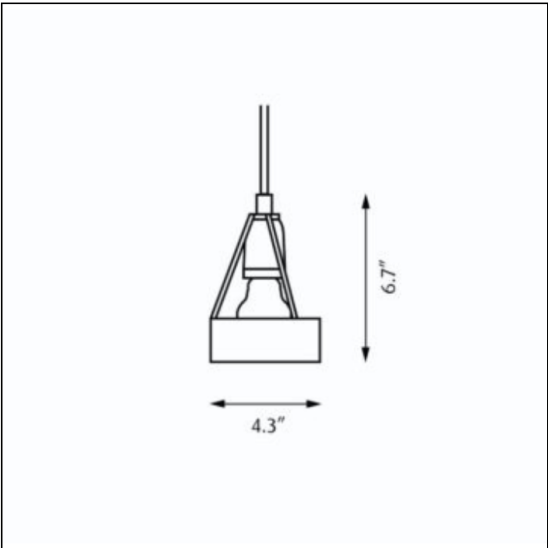


# Pakhus

PAK-P

PRODUCT SPECIFICATION

## Product description



**Design** Erik Møllers Tegnestue A/S

**Concept** The fixture is an example of minimalistic lighting technology, with a primary focus on pointshaped light sources. The anti-glare ring eliminates direct glare from the focal point of the light source, while permitting optimal light distribution both upward and downward.

**Finish** White, powder coated.

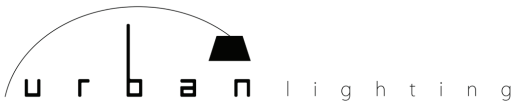
**Material** Anti-glare ring: Extruded steel. Canopy: Spun aluminum.

**Mounting** Canopy: White. Cord type: 3-conductor, 18 AWG white PVC power cord. Cord length: 12'.

**Weight** Max. 3 lbs.

**Label** cULus, Dry location. IBEW.

Product Code	Light source	Voltage	Finish
PAK-P	1/75W/A-19/CL medium	120V	WHT

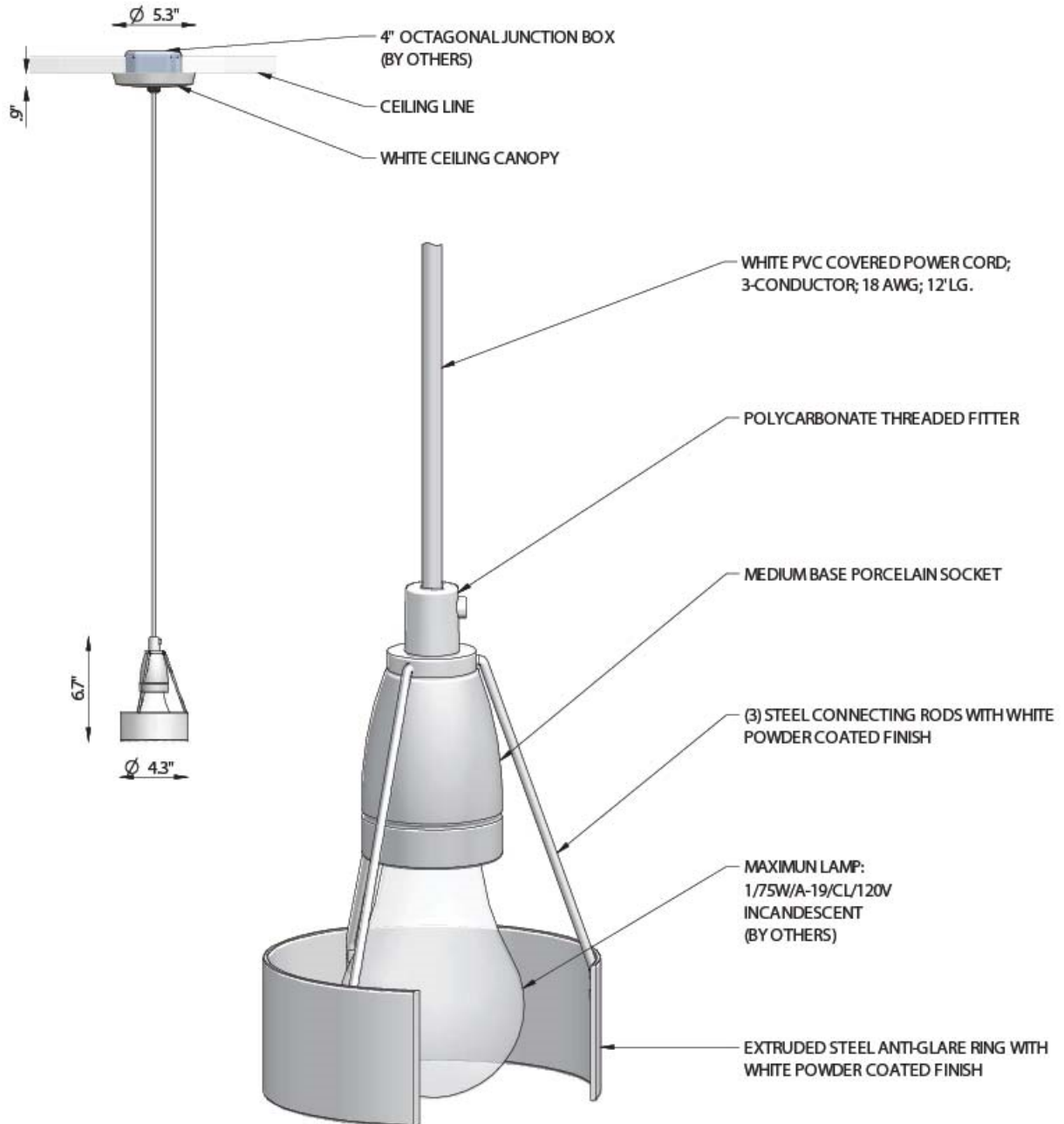


# Pakhus

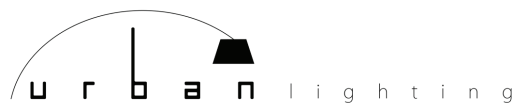
PAK-P

PRODUCT SPECIFICATION

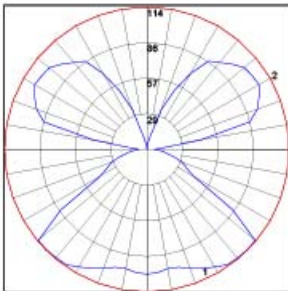
## Material description



**louis  
poulsen**



## Light Measurements



Photometric Report: PAK-P-1-75W-INC  
 Report No: 5741906125 Louis Poulsen Lighting A/S  
 Poulsen Report No: PAK-P-1-75W-INC  
 Luminaire: PAKHUS  
 Lamp: 1/75W/INC/A-19  
 Efficiency: 88%

Description: All data shown are per 950 lumens. This report can be used for calculation on all versions listed below. Use only actual lumen data calculating.

Candlepower Distribution

Vertical Angle	Candela
0	100.1
5	99.5
15	98.0
25	105.7
35	113.1
45	114.4
55	84.4
65	35.0
75	22.8
90	6.1
120	104.1
150	70.6
180	0.7

Zonal Lumen Summary

Zone	Lumens	% Lamp	% Fixture
0-20	37.44	3.90	4.50
0-30	88.36	9.10	10.30
0-40	156.90	16.50	18.70
0-60	317.82	33.50	37.90
0-80	377.33	39.70	45.00
0-90	389.22	41.00	46.40
10-90	379.79	40.00	45.30
20-40	119.46	12.60	14.20
20-50	207.77	21.90	24.80
40-70	196.49	20.70	23.40
60-80	59.51	6.30	7.10
70-80	23.94	2.50	2.90
80-90	11.88	1.30	1.40
90-110	101.35	10.70	12.10
90-120	199.95	21.00	23.80
90-130	292.50	30.80	34.90
90-150	420.29	44.20	50.10
90-180	450.03	47.40	53.60
110-180	348.67	36.70	41.50
0-180	839.24	88.30	100.00

Coefficient of utilization- Zonal Cavity Method  
 Effective Floor Cavity Reflectance 0.20%

Ceiling Reflectance (%)	80				70				50			30			10			0
	70	50	30	10	70	50	30	10	50	30	10	50	30	10	50	30	10	0
Room Cavity Ratio																		
0	94	94	94	94	86	86	86	86	72	72	72	59	59	59	47	47	47	41
1	85	82	78	75	78	75	72	69	63	60	58	51	50	48	41	40	39	34
2	78	71	65	61	71	65	61	57	55	51	48	45	42	40	38	34	32	28
3	71	62	56	50	65	57	52	47	48	44	40	39	36	34	31	29	27	24
4	64	55	48	42	59	50	44	39	42	38	34	35	31	29	28	25	23	20
5	59	49	41	36	54	45	38	34	38	33	29	31	27	24	25	22	20	17
6	54	43	36	31	49	40	34	29	34	29	25	28	24	21	22	20	17	15
7	50	39	32	27	46	38	30	25	30	25	22	25	21	18	20	17	15	13
8	46	35	28	23	42	33	26	22	28	23	19	23	19	16	18	16	13	11
9	43	32	25	21	39	30	24	19	25	20	17	21	17	14	17	14	12	10
10	40	29	23	18	37	27	21	17	23	18	15	19	15	13	16	13	11	9

