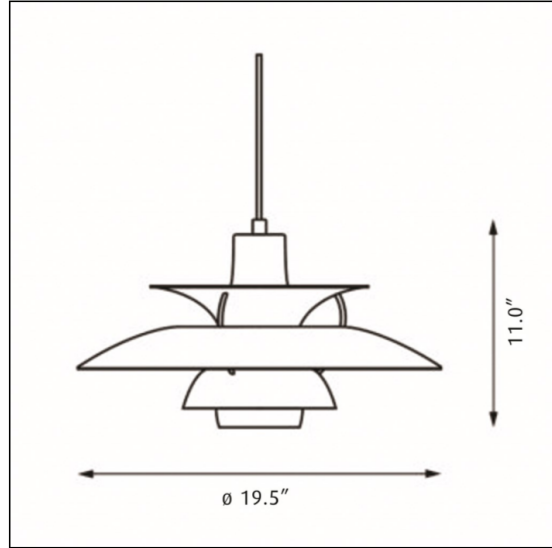


PH 5 & PH 50

PH5 COLORS INC

PRODUCT SPECIFICATION

Product description



Design Poul Henningsen

Concept The fixture provides 100% glare-free light. Its design is based on the principle of a reflective three-shade system, which directs majority of the light downwards. The fixture emits both downward and lateral light, thus illuminating itself. In the PH 5 Classic, a warmer tone of light is created by the inside red cone and a small blue reflector.

Finish PH 50: Chili red, coconut white, mint blue, olive black or wasabi green, glossy, wet lacquered. PH 5 Classic: White, mat coated. PH 5: White/Pale rose, Dark Grey/Turquoise, Army/Dark Grey or Pale Rose/Green, mat coated.

Material Shades: Spun aluminum. Concealing shield: Sand-blasted, glass. Struts: Rolled aluminum.

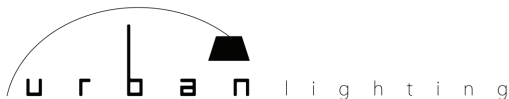
Mounting Canopy: White. Cord type: 3-conductor, 18 AWG white PVC power cord. Cord length: 12'.

Weight Max. 5 lbs.

Label cULus, Dry location. IBEW.

Product Code	Light source	Voltage	Finish
PH5/PH50	1/15W LED/A-19/medium 1/200W/A-23/IF medium	120V	PH 5, ARMY/DARK GREY MAT PH 5, DARK GREY/TURQUOISE MAT PH 5, PALE ROSE/GREEN MAT PH 5, WHITE CLASSIC MAT PH 5, WHITE/PALE ROSE MAT PH 50, CHILI RED GLOSS PH 50, COCONUT WHITE GLOSS PH 50, MINT BLUE GLOSS PH 50, OLIVE BLACK GLOSS PH 50, WASABI GREEN GLOSS

**louis
poulsen**

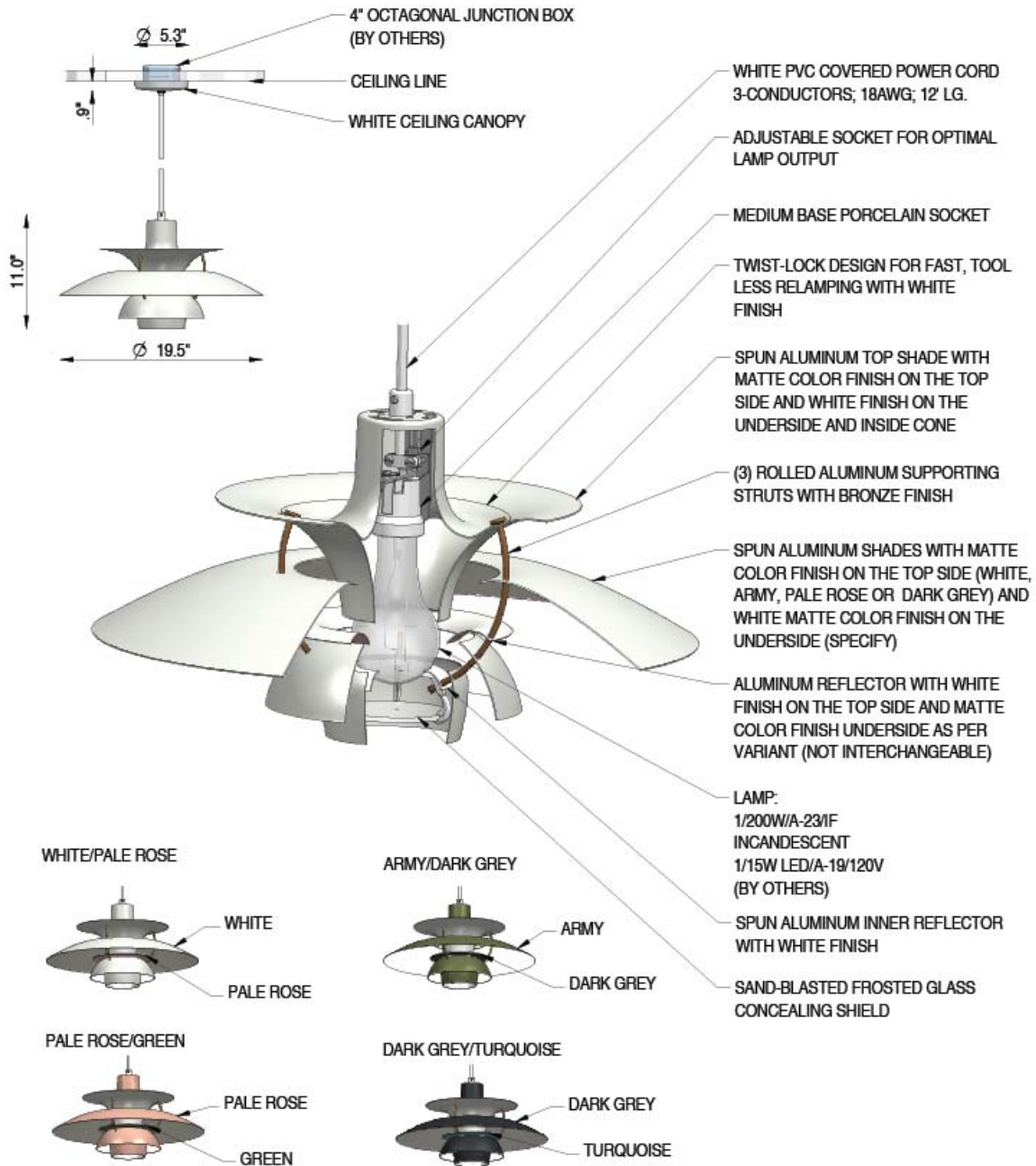


PH 5 & PH 50

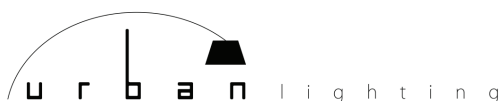
PH5 COLORS INC

PRODUCT SPECIFICATION

Material description



**louis
poulsen**

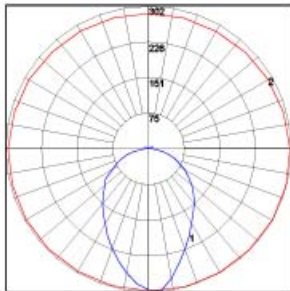


PH 5 & PH 50

PH5 COLORS INC

PRODUCT SPECIFICATION

Light Measurements



Photometric Report: PH5-50-1-200W-INC

Report No: LP1190

Poulsen Report No: PH5-50-1-200W-INC

Luminaire: PH5 & PH 50

Lamp: 1/200W/INC/A-23

Efficiency: 21%

Description: All data shown are per 3150 lumens. This report can be used for calculation on all versions listed below. Use only actual lumen data calculating.

Candlepower Distribution

Vertical Angle	Candela
0	298.1
5	299.3
15	252.5
25	202.2
35	163.7
45	135.6
55	115.7
65	77.1
75	48.8
90	9.3
120	9.3
150	2.4
180	1.2

Zonal Lumen Summary

Zone	Lumens	% Lamp	% Fixture
0-20	97.52	3.10	14.60
0-30	190.78	6.10	28.60
0-40	294.29	9.30	44.20
0-60	493.75	15.70	74.10
0-80	614.83	19.50	92.30
0-90	633.56	20.10	95.10
10-90	606.07	19.20	91.00
20-40	196.77	6.20	29.50
20-50	301.45	9.60	45.30
40-70	273.32	8.70	41.00
60-80	121.09	3.80	18.20
70-80	47.23	1.50	7.10
80-90	18.72	0.60	2.80
90-110	15.27	0.50	2.30
90-120	22.32	0.70	3.40
90-130	26.86	0.90	4.00
90-150	30.16	1.00	4.50
90-180	32.55	1.00	4.90
110-180	17.28	0.50	2.60
0-180	666.10	21.10	100.00

Coefficient of utilization- Zonal Cavity Method
Effective Floor Cavity Reflectance 0.20%

Ceiling Reflectance (%)	80				70				50			30			10			0	
	70	50	30	10	70	50	30	10	50	30	10	50	30	10	50	30	10	0	
Room Cavity Ratio																			
0	25	25	25	25	24	24	24	24	23	23	23	22	22	22	21	21	21	20	
1	23	22	21	20	22	21	20	19	20	19	19	19	18	18	18	18	17	17	
2	21	19	17	16	20	18	17	16	18	16	15	17	16	15	16	15	14	14	
3	19	17	15	14	18	16	15	13	15	14	13	15	14	13	14	13	12	12	
4	17	15	13	12	17	14	13	11	14	12	11	13	12	11	13	12	11	10	
5	16	13	11	10	15	13	11	10	12	11	10	12	11	10	11	10	9	9	
6	15	12	10	9	14	12	10	9	11	10	9	11	9	8	10	9	8	8	
7	14	11	9	8	13	11	9	8	10	9	8	10	9	8	10	8	7	7	
8	13	10	8	7	12	10	8	7	9	8	7	9	8	7	9	8	7	6	
9	12	9	8	6	12	9	7	6	9	7	6	8	7	6	8	7	6	6	
10	11	9	7	6	11	8	7	6	8	7	6	8	7	6	8	6	6	5	

**louis
poulsen**

