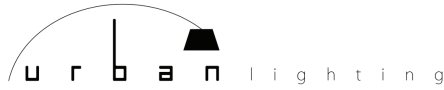




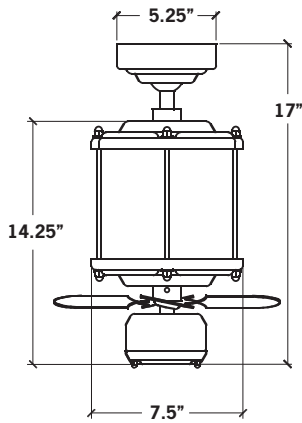
Galvanized with
White Blades
▲



619.232.6064 | sales@urbanlighting.net | 301 4th Avenue | San Diego, CA 92101



Galvanized with 950/951 Light



Energy Information

(52" at high speed)

AIRFLOW 6346 Cubic Feet Per Minute	ELECTRICITY USE 85 Watts (excludes lights)	AIRFLOW EFFICIENCY 74 Cubic Feet Per Minute Per Watt
---	---	---

Industry

Includes 2" and 9" down rods, yielding 17" or 24" overall lengths.
Optional down rods available.

#IND-	Finish	Blade Diameter	Blade Color	Light Option	Control Option
	▲ GV Galvanized	▲ 52 52" Span ▲ 42 42" Span	▲ WH White ▲ SV Silver ▲ BK Black ▲ MP Maple ▲ MG Mahogany	▲ NL No Light ▲ 950 75w G9 Halogen, (Open) ▲ 951 26w GU24 Energy Svc. CFL (Open) ▲ 952 75w G9 Halogen, (Closed) ▲ 953 26w GU24 Energy Svc. CFL (Closed)	▲ NC No Control ▲ 001 Fan Speed Only ▲ 002 Fan & Light - 3 Wire ▲ 003 Handheld Remote ▲ 004 Fan & Light - 2 Wire ▲ 005 Wall/Remote Combo

Industry Special Notes

1. The #950/#951 light kit adds 5-inches to length of this fan. 2. The #952/#953 light kit adds 4-inches to length of this fan.
3. Available in rust or polished copper finishes



Galvanized with 952/953 Light