

Name: SPOCK - T

Design: Christophe Mathieu / 2007

Typology: Table lamp

Environment: Indoor

Technical description:

Table light with zamac mold-injected hood, housing four 1.2W LED bulbs, coated in satin nickel, brilliant chrome, chrome with white trim, or chrome with graphite trim, fastened to a stainless steel base that allows swivel arm to rotate 360 degrees, and a base rotation of 25 degrees. Zamac hood swivels 50 degrees from base, and rotates 360 degrees on stem. Electrical cord includes switch. Includes sanded borosilicate glass diffuser that can be replaced as needed. Only fixture finishing is customizable.



Lamps description

⏏ Earthing: compulsory

⊙ 4 x 1.2 W LED

Led: 4 x 1.2W = 4.8 W Phillips/Luxeon Rebel

Lumens: 85 x 4 = 340 lm

Degrees Kelvin: 2900°



CRI: 85

Voltage: 120V~60Hz

📦 1 Box 10.63 x 5.91 x 20.47 inches

Vol.: 0,0211 m³

Weight: 8.82 lbs

Certifications:  

Ref Finishings

1910511LU LED Chrome-white

1910512LU LED Chrome

1910510LU LED Chrome-graphite

Zamac injected orientable hood

Stainless steel base

DIFFUSER:

Circular rotation 360° | Vertical rotation 50°

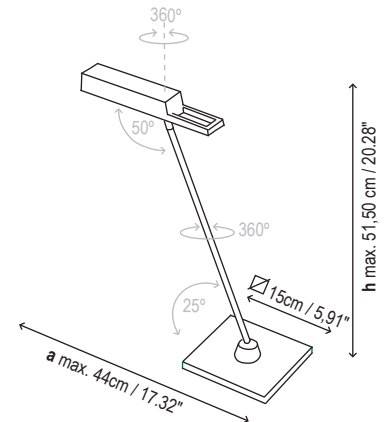
MAST:

Circular rotation 360° | Mast inclination 25°

Not Customizable

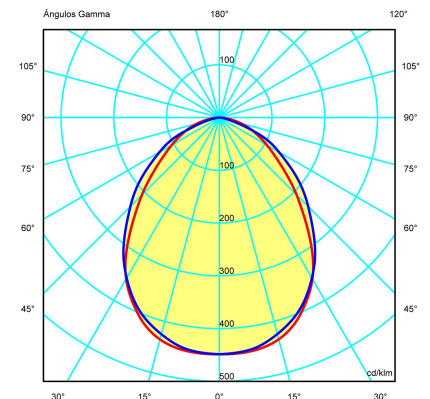
*

Measures



Project information

Photometrics





SPOCK MINI

