

# BATH COLLECTION

## Span Bath

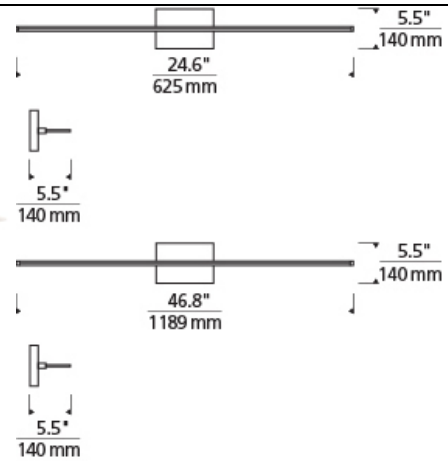


### DESCRIPTION

This ultra-thin, modern bath bar is made possible through the use of edge-lit LED light guide technology. What appears to be a simple plate of frosted glass when off, then illuminates across the entire surface as if the light is coming out of thin air. May be mounted horizontally only. 2' version includes 20 watt, 1300 net lumens; 4' version includes 40 watt, 2600 net lumens both in 3000K LED. LED version dimmable with low-voltage electronic dimmer.

### WEIGHT

2.93lb / 1.33kg ±



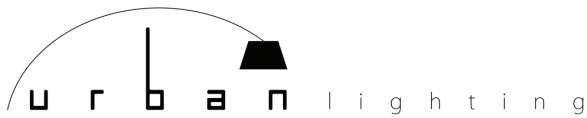
span bath  
three-quarter  
view

### ORDERING INFORMATION

700BCSPAN	LENGTH (A)	FINISH	LAMP
	2 24"	S SATIN NICKEL	-LED830 LED 3000K 80 CRI 120V
	4 48"		



TECH LIGHTING®



619.232.6064 | sales@urbanlighting.net | 301 4th Avenue | San Diego, CA 92101