



Specifications **Model number**

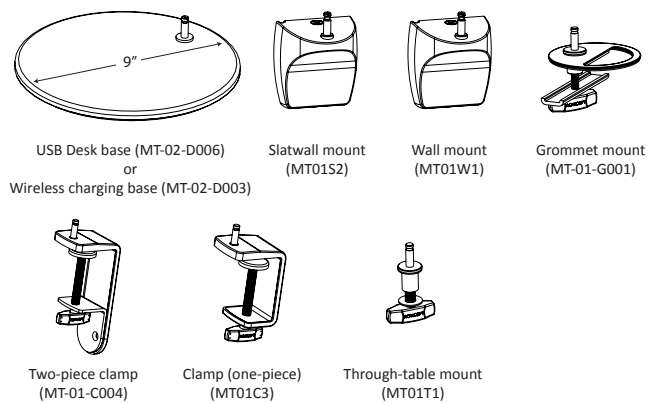
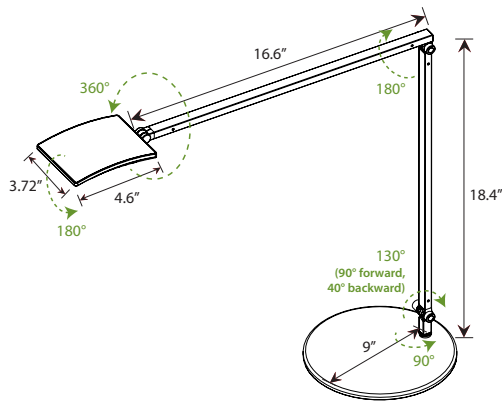
Energy Consumption:	5.5 watts
Number of LEDs:	48 LEDs
LED Rated Lifespan:	50,000 hours
Color Temperature:	Variable from 2,700K to 5,000 K
Color Rendering Index (CRI):	83
Dimmer:	Built-in touchstrip
Brightness Adjustability:	Continuous
Occupancy Sensor:	Built-in
Standard Color Finish*:	Metallic Black, Silver
Material:	Aluminum/Plastic
Cord Color:	Black
Cord Length:	10'
Transformer (100–240 V; 50/60 Hz):	Included – C-UL-US Certified
Maximum Brightness (15" above desk):	103 fc

- AR2001-** _____ - _____
- MBK = Metallic Black
 - SIL = Silver
 - USB = USB Desk Base
 - CLP = Clamp (One-Piece)
 - 2CL = Two-Piece Clamp
 - SLT = Slatwall Mount
 - WAL = Wall Mount
 - GRM = Grommet Mount
 - THR = Through-table Mount
 - QCB* = Wireless Charging Base*

*Custom colors are available at additional cost. Contact Koncept or your sales representative for a quote.

*Wireless charging base for "Qi" compatible cell phones and receivers. Support phones such as Google Nexus 4, Nokia Lumia 920, Samsung Galaxy Note 3, etc.

Dimensions **Accessories** (*optional)



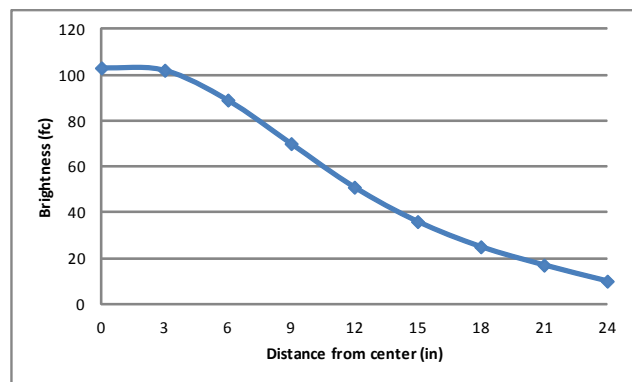
LEED credit eligibility **Photometrics**

Energy & Atmosphere (EA)
Credit 1.1: Optimize Energy Performance
 LED lighting to reduce energy consumption.
 (Potential points: 3)

Innovation In Design (ID)
Credit 1.1- 1.4: Innovation in Design
 Mosso™ Pro delivers an outstanding 90+ lumens per watt for an LED desk lamp. Color temperature is variable from warm (3,500 K) to cool (5,000 K). An intuitive touchstrip allows for easy dimming and on/off.
 (Potential points: 4)

Materials & Resources (MR)
Credit 4.1: Recycled Content - 10%
 Lamps contain parts made out of 10% pre-consumer recycled content.
 (Potential points: 1)
Credit 4.2: Recycled Content - 20%
 Lamps contain parts made out of 20% pre-consumer recycled content.
 (Potential points: 2)

Light source placed at 15" away from worksurface



Environmental considerations

Lamp contains 38% preconsumer recycled material by weight*
 Aluminum housing is fully recyclable
 All color finishes use water-based paint
 All cardboard used in packaging is FSC certified
 LEDs do not contain mercury

*in standard configuration (includes transformer and weighted base)

