



Specifications Model number

Energy Consumption:	9.5 watts
Number of LEDs:	42 LEDs
LED Rated Lifespan:	50,000 hours
Color Temperature (Typical) – Cool:	4,500 K
Color Temperature (Typical) – Warm:	3,500 K
Color Rendering Index (CRI):	85
Dimmer:	Built-in touchstrip
Brightness Adjustability:	Multiple dimming levels
Standard Color Finish*:	Metallic Black, Silver
Material:	Aluminum/Plastic
Cord Color:	Black
Cord Length:	10'
Transformer (100–240 V; 50/60 Hz):	Included – C-UL-US Certified
Maximum Brightness** (15" above desk):	165 fc

AR3000- - - - -

C\*\* = Cool White Light  
W\*\* = Warm White Light

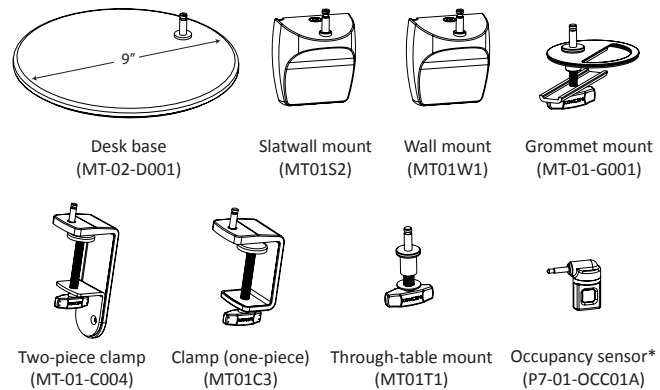
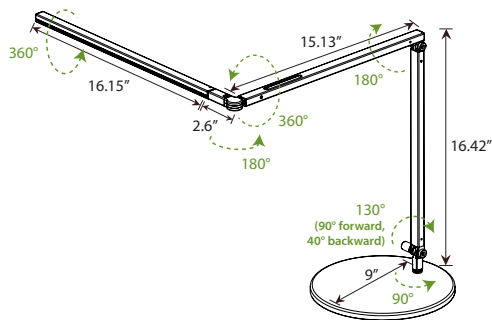
MBK = Metallic Black  
SIL = Silver

DSK = Desk Base  
CLP = Clamp (One-Piece)  
2CL = Two-Piece Clamp  
SLT = Slatwall Mount  
WAL = Wall Mount  
GRM = Grommet Mount  
THR = Through-Table Mount

\*\*For diffused light, use "CD" for cool diffused light and "WD" for warm diffused light.

\*Custom colors are available at additional cost. Contact Concept or your sales representative for a quote.  
\*\*Maximum brightness is measured on diffused models.

Dimensions Accessories (\*optional)

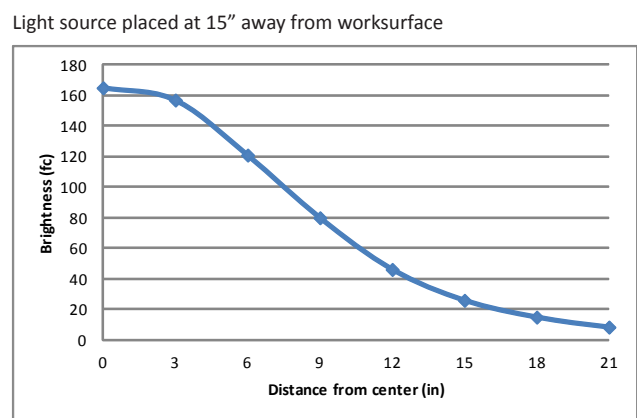


LEED credit eligibility Photometrics

**Energy & Atmosphere (EA)**  
*Credit 1.1: Optimize Energy Performance*  
 LED lighting to reduce energy consumption.  
 (Potential points: 3)

**Innovation In Design (ID)**  
*Credit 1.1- 1.4: Innovation in Design*  
 Z-Bar® features the original three-bar design for maximum reach and flexibility. The LED head can spin in its socket, sweep side to side, and rotate around the end of the arm to point in any direction. The lamp also features a built-in touchstrip for brightness adjustability.  
 (Potential points: 4)

**Materials & Resources (MR)**  
*Credit 4.1: Recycled Content - 10%*  
 Lamps contain parts made out of 10% pre-consumer recycled content.  
 (Potential points: 1)  
*Credit 4.2: Recycled Content - 20%*  
 Lamps contain parts made out of 20% pre-consumer recycled content.  
 (Potential points: 2)



(Shown: photometrics of diffused light model)

Environmental considerations

Energy Star certified  
 Lamp contains 38% preconsumer recycled material by weight\*  
 Aluminum housing is fully recyclable  
 All color finishes use water-based paint  
 All cardboard used in packaging is FSC certified  
 LEDs do not contain mercury

\*in standard configuration (includes transformer and weighted base)

