



Kelvin Led Green Mode I - Specification Sheet by Antonio Citterio w Toan Nguyen, 2013

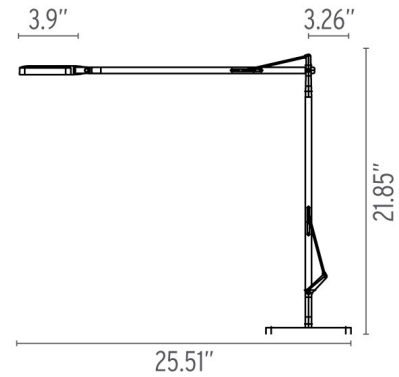
Mounting

Lamp (Bulb) Description	30 x TOP LED 3000K 325lm CRI95 - 7.5W
Environment	Indoor - Dry Location
Finish	Anthracite
Technical and Product Description	<p>KELVIN LED GREEN MODE I adjustable table lamp providing direct lighting, with double pantograph arm and adjustable head. Fused aluminum alloy body. Die-cast aluminum outer head, with injection-molded methacrylate diffuser.</p> <p>Base external cover in ABS. Extruded aluminum alloy square tube structure, machined mechanically, so that it houses a stainless steel load-compensation spring and injection-molded acetal resin sliding blocks. 3 mm diameter wire outer tie rods. The ON/OFF switch is electronic with optical mechanism located in the head.</p> <p>The new Kelvin LED GREEN is offered in 2 different modes:</p> <p>Kelvin LED GREEN I with Daylight Sensor</p> <p>Kelvin LED GREEN II with Daylight Sensor and Motion Sensor</p> <p>In order to activate the Daylight/Motion Sensor, simply keep your finger on the touch sensor switch on lamp head for a few seconds until it turns from orange to GREEN. Once the Daylight Sensor is activated, Kelvin LED Green Mode I and II will automatically adjust its light output by responding to the brightness of the work surface it is illuminating.</p> <p>The FLOStouch (TM) Technology touch sensor switch is active at all times allowing for manual control of ON/OFF switch and bypassing the Motion Detector. The Daylight Sensor and Motion Sensor function independently of each other.</p>



● F3311033 Anthracite

Dimensional Image



Electrical

Voltage	120
Switching	Touch-sensor 3-step dimmer (100%-66%-33%) on lamp head

Physical

Construction Material	Aluminum and zamak
Weight	11 lbs

