

**Name:** SLEND - 01

**Design:** Christophe Mathieu 2014

**Typology:** Pendant lamp

**Environment:** Indoor

**Technical description:**

Spun aluminum pendant available in 3 different shapes, each with finish options of Brilliant Black, Brilliant White or Polished Aluminum. Copper lined aperture houses direct light source from LED lamp. Height adjustable cable in transparent for Polished Aluminum, white for Brilliant White fixtures or black for Brilliant Black fixtures.



**Lamps description**

 Grounding: compulsory

 1 x 5 W GU10 LED

**Voltage:** 120 V~60 Hz

 1 Box 31.10 x 6.30 x 5.51 inches

**Vol.:** 0,6251 ft³

**Weight:** 4.41 lbs

**Certifications:**  

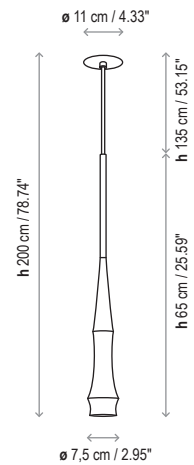
**Ref** **Finishings**

2560120001U *BRILLIANT WHITE*

2560120064U *POLISH ALUMINUM*

2560120023U *BRILLIANT BLACK*

**Measures**



**Project information**

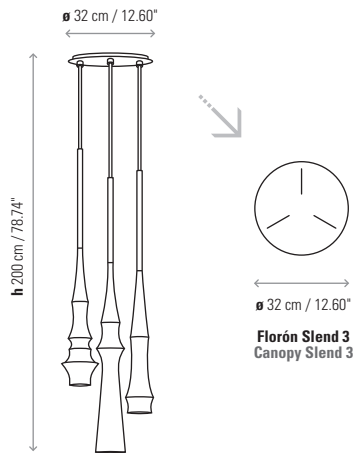
Project name:	Approved by:
Fixture type:	Date:
Location:	Prepared by:
Comments:	Prepared for:

**Photometrics** 

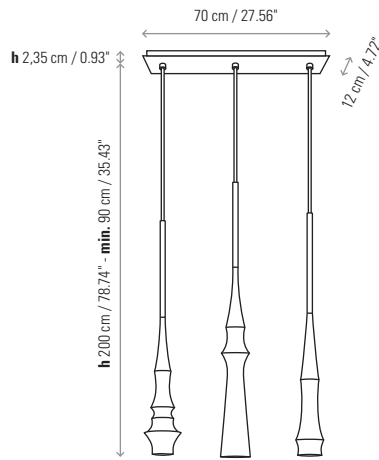
Photometrics made according to the position the lights are shown in the catalogue and price list.



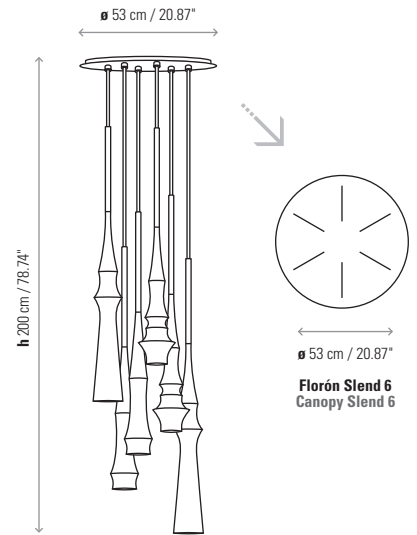
**SLEND-SET 3 ROUND**



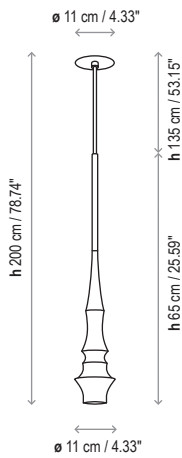
**SLEND-SET 3 LINEAL**



**SLEND-SET 6**



**SLEND-02**



**SLEND-03**

