

# 2318

## Corona 48" LED Ring Pendant

### Dimensions:

Height: 2 1/2"

Width: 48" DIA

### Description:

Shade: Frosted Acrylic

Canopy: 8" DIA

w/6' adjustable cable

Dimmable by Electronic Low Voltage (ELV)

or Standard (TRIAC) Incandescent



619.232.6664 | sales@urbanlighting.net | 301 4th Avenue | San Diego, CA 92101



### Lamping Options:

LED

45w LED, 4300 Lumens

Warm White (3000K), 80 CRI

120VAC Input w/LED Driver

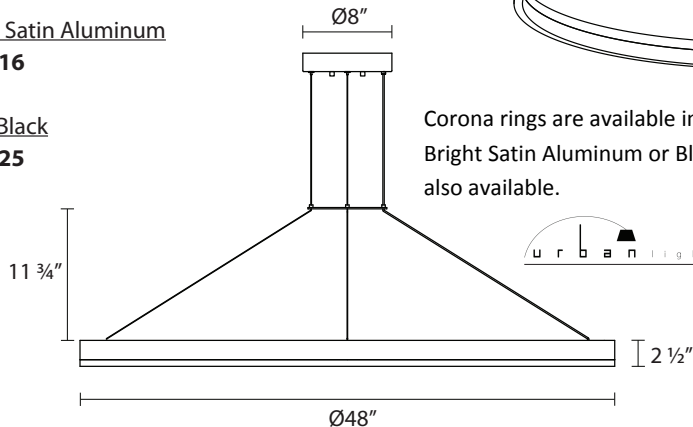
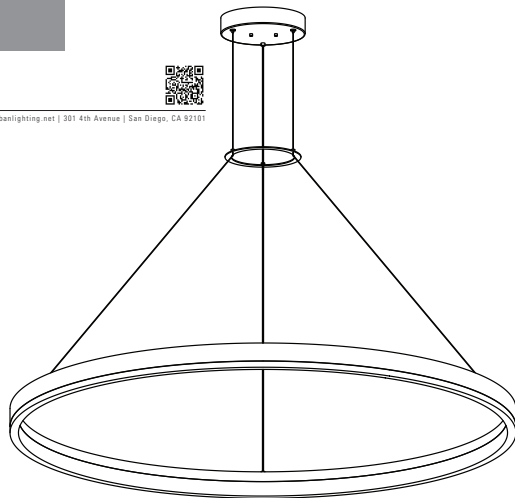
### Available Finishes:

Bright Satin Aluminum

**2318.16**

Satin Black

**2318.25**



Corona rings are available in 6", 16", 24", 32" and 48" diameter. In Bright Satin Aluminum or Black. Square and rectangle options are also available.



619.232.6664 | sales@urbanlighting.net | 301 4th Avenue | San Diego, CA 92101



**SONNEMAN**  
A WAY OF LIGHT