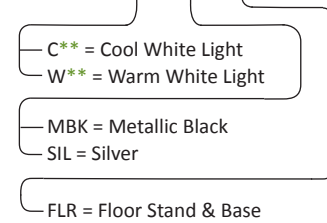


Specifications Model number

Energy Consumption:	9.5 watts
Number of LEDs:	42 LEDs
LED Rated Lifespan:	50,000 hours
Color Temperature (Typical) – Cool:	4,500 K
Color Temperature (Typical) – Warm:	3,500 K
Color Rendering Index (CRI):	85
Dimmer:	Built-in touchstrip
Brightness Adjustability:	Multiple dimming levels
Standard Color Finish*:	Metallic Black, Silver
Material:	Aluminum/Plastic
Cord Color:	Black
Cord Length:	10'
Transformer (100–240 V; 50/60 Hz):	Included – C-UL-US Certified
Maximum Brightness** (15" above desk):	165 fc

AR5000- - - - -FLR

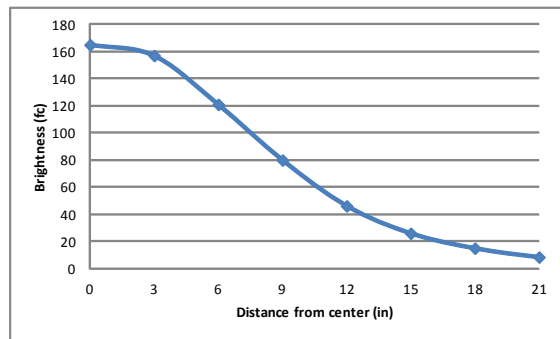


**For diffused light, use "CD" for cool diffused light and "WD" for warm diffused light.

*Custom colors are available at additional cost. Contact Concept or your sales representative for a quote. **Maximum brightness is measured on diffused models.

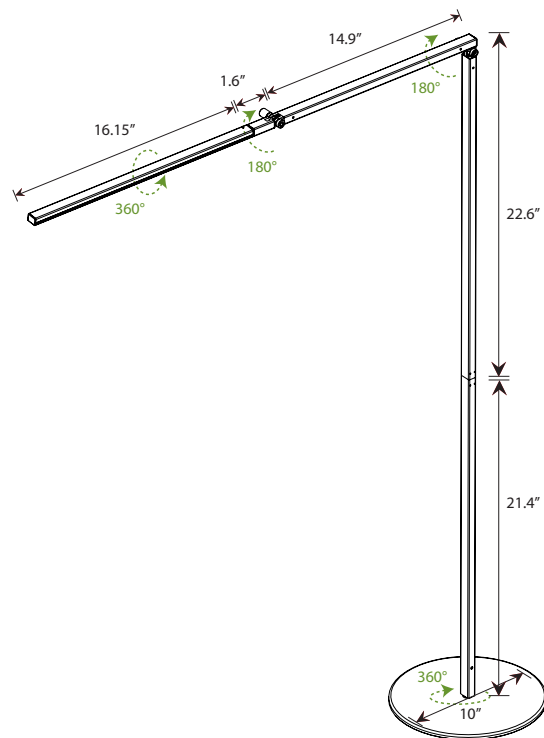
Photometrics Dimensions

Light source placed at 15" away from worksurface



(Shown: photometrics of diffused light model)

Horizontal and vertical reach



LEED credit eligibility

Energy & Atmosphere (EA)

Credit 1.1: Optimize Energy Performance

LED lighting to reduce energy consumption. (Potential points: 3)

Innovation In Design (ID)

Credit 1.1- 1.4: Innovation in Design

Z-Bar® Floor brings the original Z-Bar®'s three-bar design for maximum reach and flexibility without the need for a table. The LED head can spin in its socket, sweep side to side, and rotate around the end of the arm to point in any direction. The lamp also features a built-in touchstrip for touch sensitive dimming. (Potential points: 4)

Materials & Resources (MR)

Credit 4.1: Recycled Content - 10%

Lamps contain parts made out of 10% pre-consumer recycled content. (Potential points: 1)

Credit 4.2: Recycled Content - 20%

Lamps contain parts made out of 20% pre-consumer recycled content. (Potential points: 2)

Environmental considerations Accessories (*optional)

Energy Star certified

- Lamp contains 37% preconsumer recycled material by weight*
- Aluminum housing is fully recyclable
- All color finishes use water-based paint
- All cardboard used in packaging is FSC certified
- LEDs do not contain mercury



*in standard configuration (includes transformer and weighted base)



Occupancy sensor* (P7-01-OCC01A)

