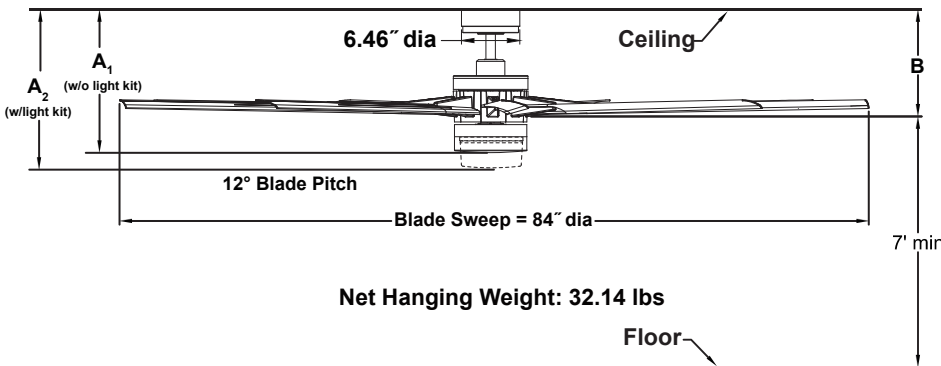
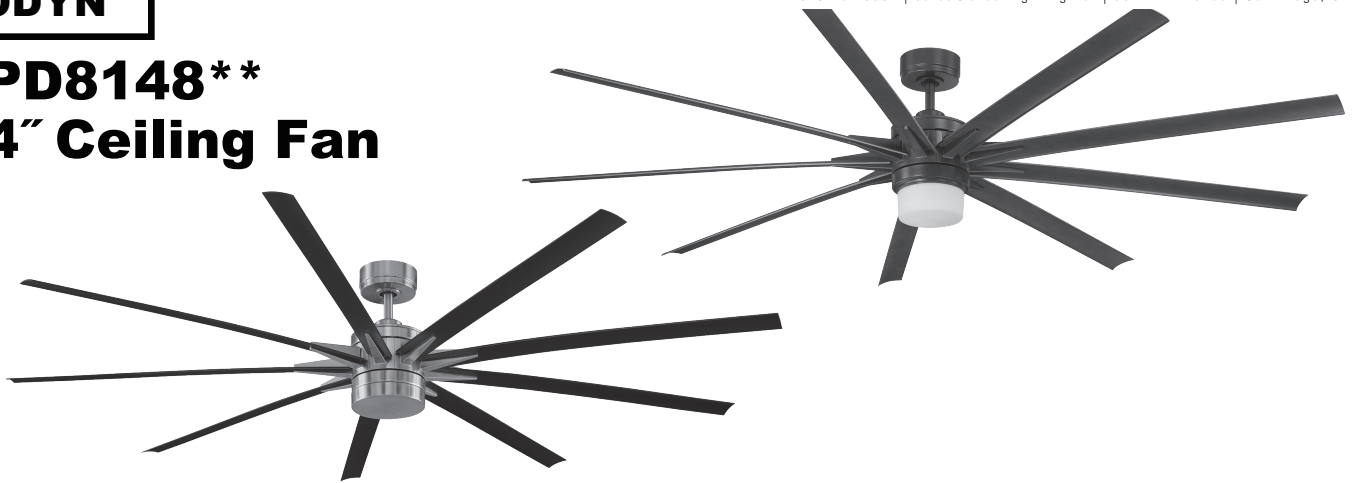




FPD8148** 84" Ceiling Fan



	A ₁	A ₂	B
Fan w/ 6" downrod	16.05"	17.69"	12.02"
Fan w/12" downrod	22.05"	23.69"	18.02"
Fan w/18" downrod	28.05"	29.69"	24.02"
Fan w/24" downrod	34.05"	35.69"	30.02"
Fan w/36" downrod	46.05"	47.69"	42.02"
Fan w/48" downrod	58.05"	59.69"	54.02"
Fan w/60" downrod	70.05"	71.69"	66.02"
Fan w/72" downrod	82.05"	83.69"	78.02"

INSTALLATION REQUIREMENTS:

Fan must be attached to a securely anchored electrical junction box capable of withstanding a load of at least 50 lbs.

ELECTRICAL REQUIREMENTS:

Requires a grounded electrical supply line of 120 volts AC, 60 Hz, 15 amp circuit.

MOTOR SPECS:

DC-165L DC motor is designed for optimal performance with this fan.

BLADES:

A set of nine 38" reversible composite blades is included.

CONTROL OPTIONS:

TR39WH hand-held DC fan remote control is included. Push button remote control has 6 fan speeds, ON/OFF light levels, reverse and off button.

LIGHTING OPTIONS:

One 14-watt LED included.

DOWNROD OPTIONS:

Fan comes with a 1" dia. x 6" long downrod (DR1-6). Optional downrods are available in 12", 18", 24", 36", 48", 60" and 72" lengths. A downrod coupler is available for installations requiring a downrod longer than 72". The fan can be mounted on a sloped ceiling up to 30°. Optional sloped ceiling ball kits (SCB1-52) are available for slope angles greater than 30° and up to 52°. Call technical support for more information.

LOCATION USE:

Fan is rated for dry or damp locations.

Available Finishes		
Fan / Housing Assembly		Blades
BN	Brushed Nickel	Black with Opal Frosted Glass
OB	Oil-rubbed Bronze	Walnut with Opal Frosted Glass

Airflow / Energy Efficiency Info (120V)					
Fan Speed	Max RPM	CFM	CFM / Watts	Amps	Watts
I	31	4453	998	0.08	4
II	37	5645	834	0.11	7
III	43	6682	662	0.16	10
IV	49	7923	535	0.23	15
V	55	8994	410	0.33	22
VI	61	10104	314	0.46	32