



DINING

A
BERCEAU

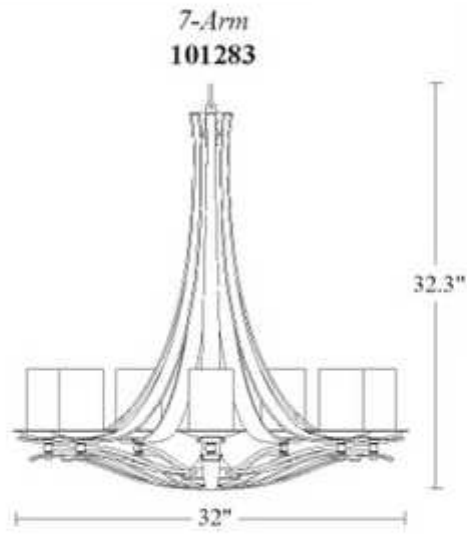
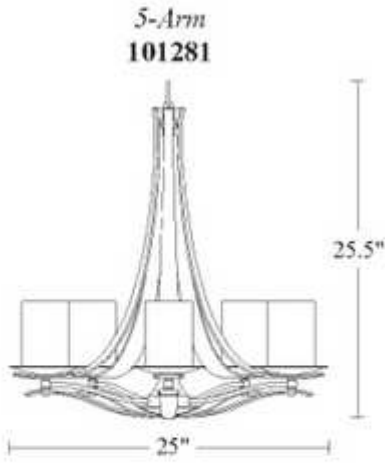
A BERCEAU
101281-08-G188
patent pending
5-arm chandelier
*As shown:**
 25.5" h x 25" d
 Burnished steel finish
 Opal glass tubes
 Type B bulbs (5),
 60W max
 • Fluorescent version:
 101281F

B BERCEAU
101283-07-H188
patent pending
7-arm chandelier
*As shown:**
 32.3" h x 32" d
 Dark smoke finish
 Stone glass tubes
 Type B bulbs (7),
 60W max
 • Fluorescent version:
 101283F



SIZE COMPARISON OF BERCEAU CHANDELIERS



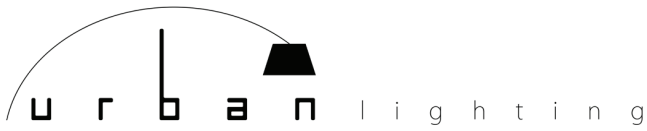


*See page 353
for complementary
Berceau sconce.*

**See website and Specific
All designs and images © 1989-20*

140

WWW.HUBBARDTONFORGE.COM



619.232.6064 | sales@urbanlighting.net | 301 4th Avenue | San Diego, CA 92101