

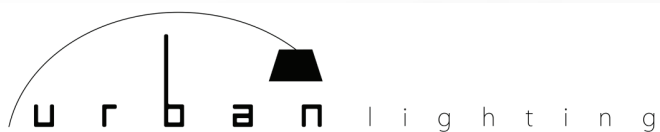
FLOOR

Tolomeo XXL

design by *Michele De Lucchi & Giancarlo Fassina*

LARGE SCALE LIGHT FIXTURE WITH DIRECT EMISSION,
AND FLUORESCENT SOURCES

- AVAILABLE WITH BASE OR FIXED SUPPORT (PIVOT)
MADE OF MASS-COLORED CONCRETE
- DIFFUSER IN MASS-PIGMENTED POLYPROPYLENE, SCREEN
IN LIGHT-DIFFUSING SILKSCREENED METHACRYLATE,
REFLECTOR IN PAINTED ALUMINUM
- MOBILE-ARM STRUCTURE IN EXTRUDED
EN-AW-6060 ALUMINUM WITH BRIGHT ANODIZING
TREATMENT
- POLISHED-PAINTED ARTICULATIONS IN DIE-CAST
EN-AB 46100 ALUMINUM
- ADJUSTMENT SYSTEM IN AISI 316 STAINLESS STEEL
- SILICONE SEAL GASKETS
- SUITABLE FOR WATERTIGHT CONNECTION
- NOT DIMMABLE
- ELECTRONIC BALLAST INTEGRATED



619.232.6064 | sales@urbanlighting.net | 301 4th Avenue | San Diego, CA 92101

Artemide





u r b a n lighting



619.232.6064 | sales@urbanlighting.net | 301 4th Avenue | San Diego, CA 92101

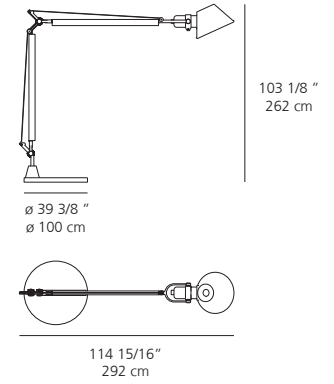
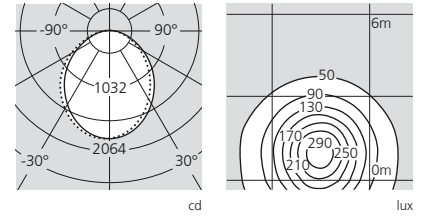
Meet Design, Turin (Italy)



TOLOMEO XXL
WITH BASE

IP55

code	lampping	finish
1532015A	FLU 2x57W (GX24q-5)	● silver grey
Electronic ballast integrated		



TOLOMEO XXL
WITH FIXED SUPPORT

IP55

code	lampping	finish
1535015A	FLU 2x57W (GX24q-5)	● silver grey
Electronic ballast integrated		

