

- **Specifications Table**

FINISHES (BODY):

White
Black

FINISHES (BASE PAD):

Charcoal
Mustard
Chestnut
Midnight

MATERIALS:

Aluminum Body
Polycarbonate Lens
Steel Base
Felt Base Pads

FEATURES:

3-axis rotation at each joint
Ultra-light minimal frame
4 colored base pads
Advanced LED array eliminates multiple shadows
Full-range dim control
Ships flat-packed

SPECIFICATIONS:

Voltage: 120/220V 60Hz
Power consumption: 8.5W
Color temperature: 3000K
Luminosity: 700 Lumens
Luminaire efficacy: 81 Lumens/Watt
Color Rendition Index: 85+ CRI
50K hour lifespan
Cord length: 9' (274cm)
Global multi-plug adapter available
1 year warranty

BULB TYPE:

High-output LED array

CERTIFICATIONS:

ETL, CE, RoHS, PSE

Specifications Floor**FINISHES (BODY):**

White
Black

FINISHES (BASE PAD):

Charcoal
Mustard
Chestnut
Midnight

MATERIALS:

Aluminum Body
Polycarbonate Lens
Steel Base
Felt Base Pads

FEATURES:

3-axis rotation at each joint
Ultra-light minimal frame
4 colored base pads
Advanced LED array eliminates multiple shadows
Full-range dim control
Ships flat-packed

SPECIFICATIONS:

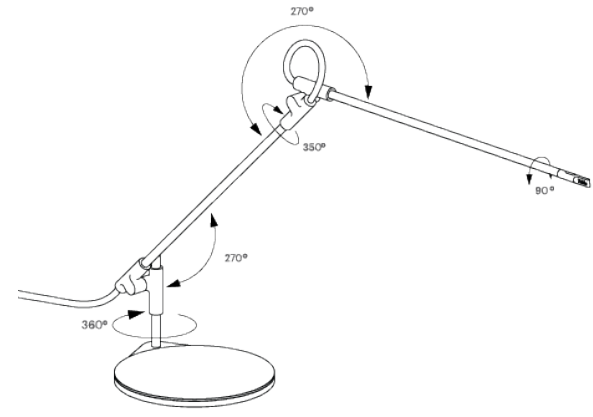
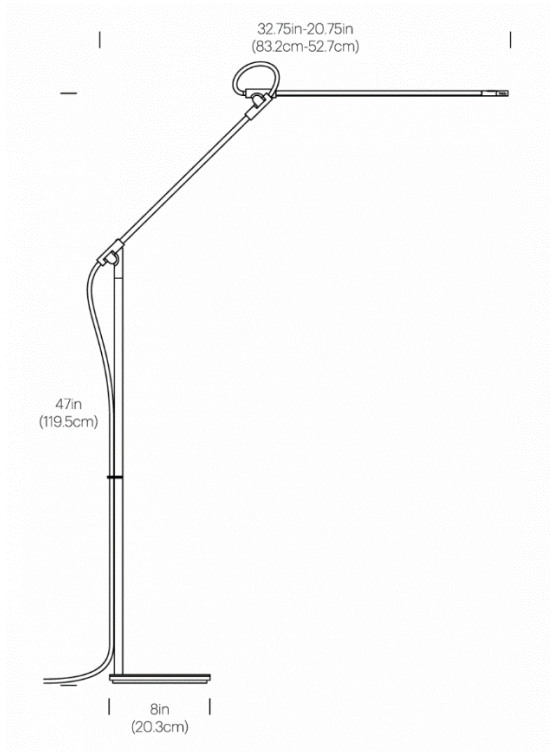
Voltage: 120/220V 60Hz
Power consumption: 8.5W
Color temperature: 3000K
Luminosity: 700 Lumens
Luminaire efficacy: 81 Lumens/Watt
Color Rendition Index: 85+ CRI
50K hour lifespan
Cord length: 9' (274cm)
Global multi-plug adapter available
1 year warranty

BULB TYPE:

High-output LED array

CERTIFICATIONS:

ETL, CE, RoHS, PSE



301 4th Avenue, San Diego, CA 92101 • ph 619-232-6064 • fax 619-232-6208