



Energy Information

(52" at high speed)

AIRFLOW
6247
Cubic Feet Per Minute

ELECTRICITY USE
75
Watts (excludes lights)

AIRFLOW EFFICIENCY
84
Cubic Feet Per Minute Per Watt

>> Dark Bronze with Mahogany Blades



Gloss White



Dark Bronze with Black Blades



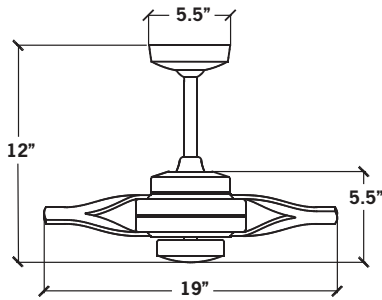
Dark Bronze with 250/251 Light



Bright Nickel with 252/253 Light



Bright Nickel with 270 Light



Torsion

Includes 5" and 17" down rods, yielding 12" or 24" overall lengths.
Optional down rods available.

#TOR	Finish	Blade Diameter	Blade Color	Light Option	Control Option
	GW Gloss White BN Bright Nickel DB Dark Bronze	62 62" Span 52 52" Span 42 42" Span	WH White NK Nickel BK Black MP Maple MG Mahogany	NL No Light 250 75w G9 Halogen (Large) 251 26w GU24 Energy Svc. CFL (Large) 252 75w G9 Halogen (Open) 253 26w GU24 Energy Svc. CFL (Open) 270 75w G9 Halogen (Small)	NC No Control 001 Fan Speed Only 002 Fan & Light - 3 Wire 003 Handheld Remote 004 Fan & Light - 2 Wire 005 Wall/Remote Combo

Torsion Special Notes

- The #250/#251/#252/#253 light kits add 5-inches to length of this fan.
- The #270 light kit adds 2.5-inches to length of this fan.

u
r
b
a
n
l
i
g
h
t
i
n
g

619.232.6064 | sales@urbanlighting.net | 301 4th Avenue | San Diego, CA 92101

