

# Cheers

## PENDANT



CHEERS

Shown approximately 15% actual size.



CHEER

### DESCRIPTION

Cheer with single fused globe includes one low-voltage, 10 watt xenon bi-pin lamp. Cheers with seven clear glass globes with fused center tubes suspended from one central hub. Cheers includes seven low-voltage, 10 watt xenon bi-pin lamps. Each include six feet of field-cutable suspension cable.

### SYSTEM

Available for FreeJack, MonoRail and Two-Circuit MonoRail. For use on T~trak, order FreeJack version and T~trak FreeJack Connector (sold separately).

### COLOR

None.

### FINISH

Antique bronze, chrome, satin nickel.

### LAMP

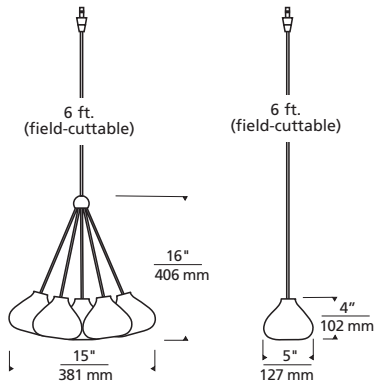
**Cheers:** Includes seven low-voltage 12 or 24 volt Xenon bi-pins up to 10 watts.

**Cheer:** Includes one low-voltage 12 or 24 volt Xenon bi-pin up to 10 watts.

### WEIGHT

**Cheers:** 3.50 lb./1.58 kg. ±

**Cheer:** 0.50 lb./0.22 kg. ±



Socket terminates with FreeJack male connector, which may be installed into a system connector. Elements ordered with a system prefix include a connector for that system.

### ORDERING INFORMATION

700	SYSTEM	CHR	TYPE	FINISH	VOLTAGE
	FJ	FREEJACK	1 CHEER	Z ANTIQUE BRONZE	12 VOLT
	MO	MONORAIL	7 CHEERS	C CHROME	-24 24 VOLT
	MO2	TWO-CIRCUIT MONORAIL		S SATIN NICKEL	



7400 Linder Avenue T 847.410.4400  
Skokie, Illinois 60077 F 847.410.4500

www.techlighting.com

700 \_\_\_\_\_ CHR \_\_\_\_\_

FIXTURE TYPE: \_\_\_\_\_

JOB NAME: \_\_\_\_\_

pnd\_cheers\_spec.pdf