

Y LED DESK LAMP



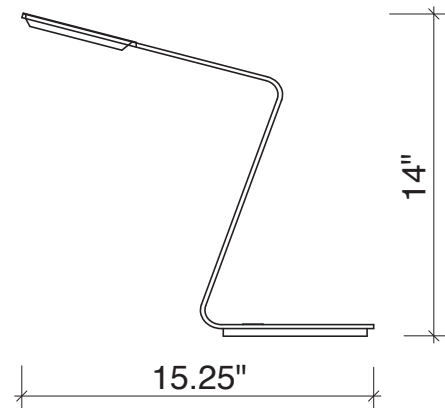
Silver finish with white wire detail



Silver finish with red wire detail

The Y LED Desk Lamp confronts head on the concerns of sustainability. The body is formed from a single piece of solid, recyclable aluminum, to create a simple yet bold gesture. The aluminum also helps dissipate LED heat to prolong its longevity and minimize light output decay. Consuming a mere 8 watts of power, the LED's used achieve a 58% power saving over compact fluorescent lights.

Available in silver finish with either a white or red wire conductor detail. Warm LED color temperature (3000K) with an LED lifetime of 50,000 hours. Touch switch located at base.



Item No. **100ACY-S-**

3K (White wire detail)

R-3K (Red wire detail)