

# Duplo-Dinamico™

The Duplo-Dinamico is the most recognized piece in the Matthews collection of retrospective commercial and residential fans. Few designs match the timeless sophistication yet simple aesthetic of the Duplo: its trademark axial rotation and lush, solid mahogany blades or metal blades set into decorative guards. The Duplo is finished in polished chrome, brushed nickel, polished copper or bronze.

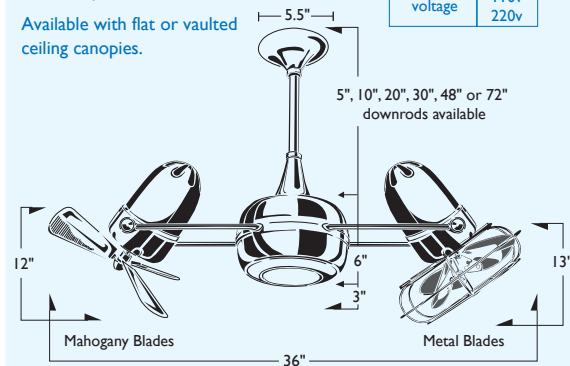


## Duplo-Dinamico Technical Information

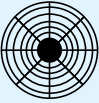
All fans best regulated by variable speed wall controls.


Available with flat or vaulted ceiling canopies.


weight	19 lbs
voltage	110v 220v



# Duplo-Dinamico

 Safety cages available for low ceilings.

 Suitable for Damp Location



(A) Shown in Polished Chrome with metal blades and decorative cage.

(B) Shown in Bronze with mahogany blades.



Few designs can match the timeless and sophisticated aesthetic of the Duplo-Dinamico rotational ceiling fan. Other manufacturers have tried to reproduce this unique design, though all have proven to be of lesser quality and durability. The motor heads can be infinitely positioned in 180-degree arcs for optimum air movement; the greater the angles of the motors to the horizontal support rods (up or down), the faster the axial rotation. A slow, controlled axial rotation is achieved by both motor head position and fan blade speed. The Duplo is available in these standard finishes: polished chrome, brushed nickel, polished copper, bronze and black. Other finishes are available as special orders.

- Matthews rotational fans circulate heat and air conditioning more efficiently than traditional paddle fans.
- Constructed of cast aluminum, heavy spun and stamped steel, the Duplo carries a limited lifetime warranty.
- Each unique motor mount and fan head knob is made of genuine marbled Bakelite.
- The Duplo is available with the following blade options:
  - metal blades with decorative metal blade guards
  - solid, ecologically harvested mahogany blades without blade guards
  - metal blades with metal safety cages for use in low ceiling applications (7 ft in US / 8.2 ft in Canada).

## Standard Finishes

bronze	brushed nickel	black
polished chrome	polished copper	

## Special Order Finishes

polished brass	black nickel	brushed brass
brushed copper	white	bronzette

# MATTHEWS

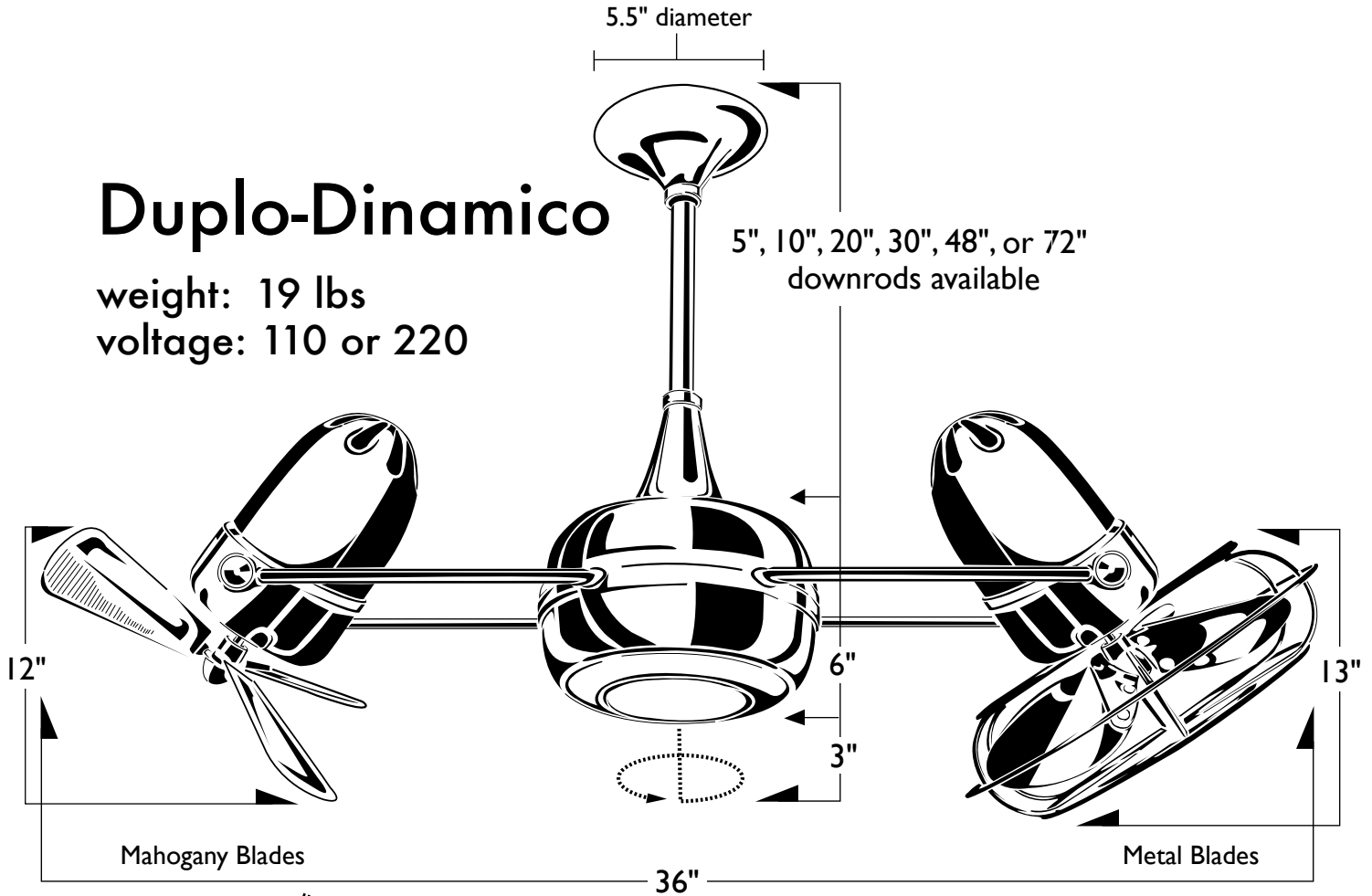
FAN COMPANY

www.matthewsfanco.com

## Duplo-Dinamico

weight: 19 lbs

voltage: 110 or 220



Increasing Angles of Fan Heads to Support Poles Increases Speed of Axial Rotation  
Optimum Fan Head Position is 60°

The Duplo can be mounted with any one of the following down rod lengths: 5, 10, 20, 30, 48 or 72".

- The down rods can be easily field cut; they are not threaded.
- If mounted with the 5" down rod, the decorative down rod canopy would not be used.

The Duplo-Dinamico is compatible with flat or vaulted ceiling canopies.

All fans best regulated by variable speed wall controls.

Metal bladed fans with protective powder or clear coatings are suitable for Damp Location.

Safety cages available for low ceiling applications.



Damp Location