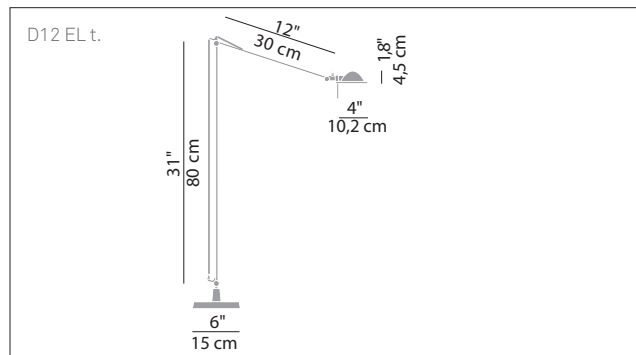


BERENICE

alberto meda, paolo rizzatto

D12



Lamp

35W/12V
Halogen-frosted
Bi-Pin T-3 GY6.35

Materials
metal parts in diecast aluminium reinforced nylon frictional joints rynite head
parabolic reflector in pressed glass or in metal

Structure finishes
 alu black

Glass reflector blue pearl green Metal reflector alu black

Note
berenice operates with a electronic transformer that allows extra low tension current to reach the light source through its rods without electric wiring