

BERENICE

Alberto Meda, Paolo Rizzatto 1985

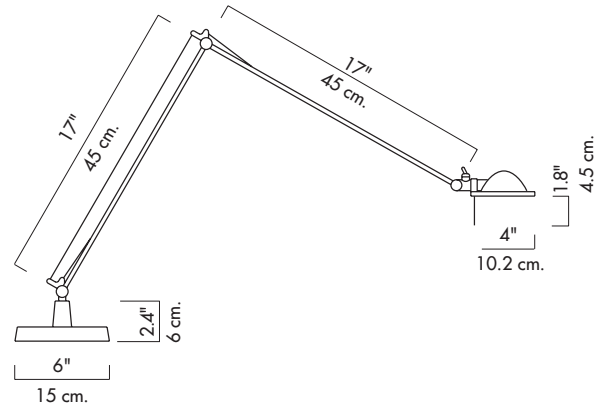
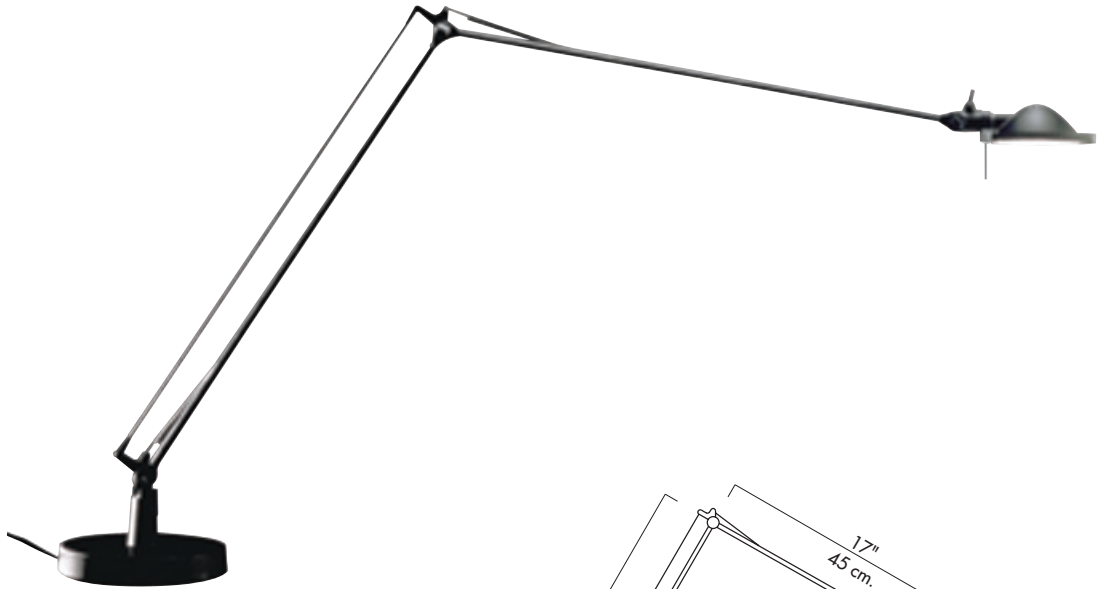
XIV Compasso d'Oro, ADI/Milano:
Selection 1987

TABLE

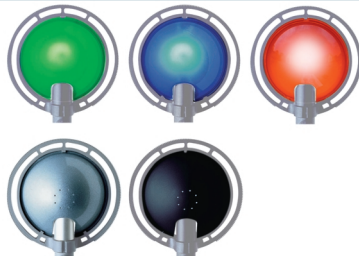
Metal parts in die-cast aluminum.
Friction joints in stiffened nylon.
Rynite head.
Aluminum body finishes: silver or black.
Reflector in green or blue pressed glass
with enamelled white interior, or in black
or silver metal.
Anti-UV protection glass.




D12



D12/4
D12/5



 35W/12V
Halogen-frosted
Bi-Pin T3 GY6.35