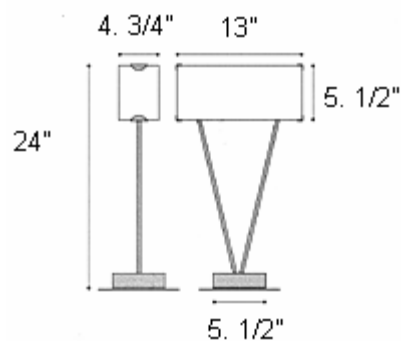


## VITTORIA T1 table

DESIGN R. TOSO, N. MASSARI & ASSOCIATES



**DESCRIPTION:** Table lamp provides upward, downward and diffused illumination from its halogen light source and blown glass diffuser available in 8 color finishes. Companion wall, pendant and floor designs available.

**CONSTRUCTION:** The Murano glass diffuser is supported by a polished chrome metal frame and base. The halogen light source is shielded by a frosted glass cylinder. An in-line slide dimmer is provided on the black cord.

**LIGHT SOURCE:** 1 x 200 watt, quartz halogen, T3 RSC (provided)

**FINISH:** Base and frame: Polished Chrome

**GLASS COLOR:** Clear Crystal, Satin White, Satin Amber, Satin Red, Satin Nile Green, Satin Cobalt Blue, Gloss Orange, Mirrored-Chrome Glass

**NET WEIGHT:** 15 lbs.

**Leucos USA, Inc.**  
11 Mayfield Avenue  
Edison, NJ 08837  
Tel: 732-225-0010  
Fax: 732-225-0250  
[www.leucos.com](http://www.leucos.com)