

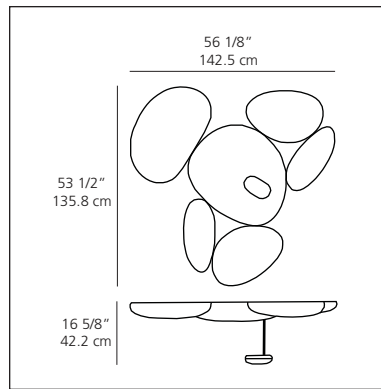
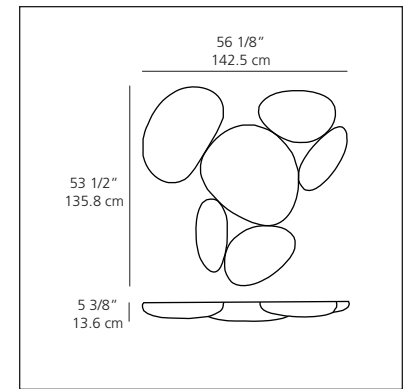
**Skydro ceiling**

Ross Lovegrove 2009

A series of pebbles forms a bright sky reflecting the light that bounces on its biomorphic surfaces.

Ceiling mounted luminaire for indirect halogen lighting.

- reflective units (pebbles) made of molded thermoplastic with polished chrome finish
- available in two versions:
  - electrified: indirect light comes from die-cast polished aluminum pebbles that are integrated in luminaire
  - non-electrified: accent light comes from other light source that is separate from luminaire
- assembly kit (template) required only when joining multiple units together, need only one kit regardless of number of units, not required for single installation
- electrical connection kit required when joining multiple electrical units together, the required amount is equal to the number of electrified units minus one
- single modules can be grouped together to form various configurations
- optional multi-module installation kit
- mounting to standard electrical junction boxes and with provision for additional concealed ceiling fastening

**Skydro ceiling (electrified)****Skydro ceiling (non-electrified)****halogen source**

- 1 x 200W (R7S/T3).....