

MIRROR-LUX[®] TV IN A MIRROR



INTRODUCING the MIRROR-LUX[®] TV IN A MIRROR

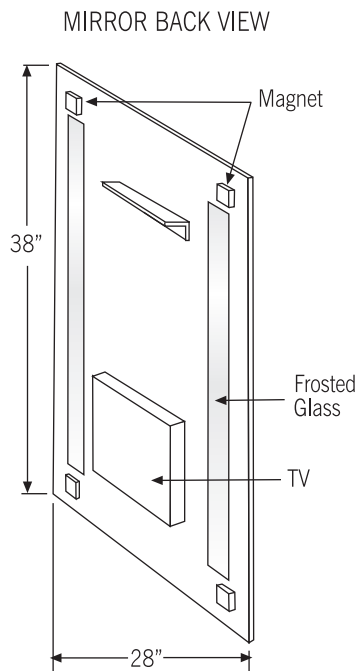
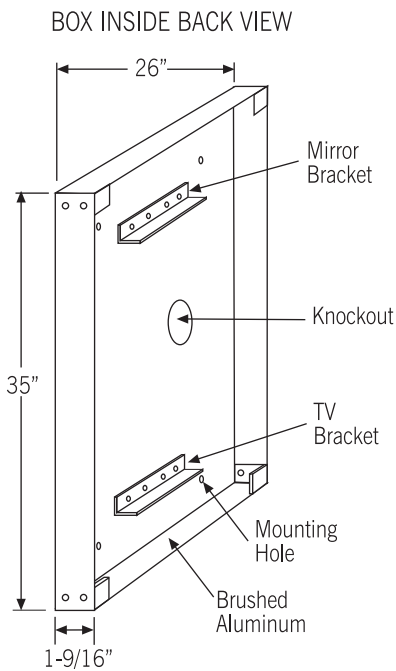
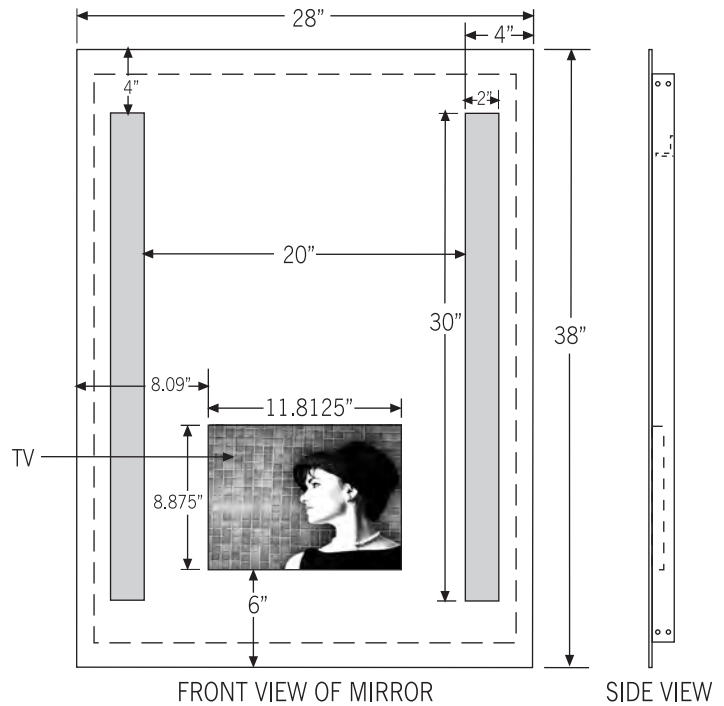
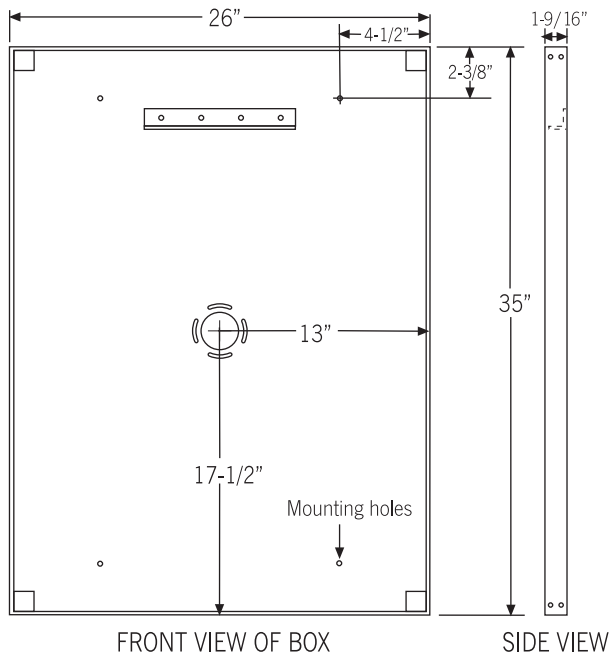
The latest version of AAMSCO Lighting's MIRROR-LUX[®] line offers a high-end LCD television encapsulated within the mirror. Specifically designed to operate in unvented areas, the mirror TV offers superior picture quality on both mirror and glass surfaces.

AAMSCO LIGHTING, INC.

100 Lamp Light Circle • Summerville, SC 29483
Toll Free: 1-800-221-9092 • Fax: 843-278-0001
www.aamsco.com



MIRROR-LUX[®] TV IN A MIRROR



TECHNICAL AND ORDERING DATA

Standard Specifications

Catalog

MIRROR-LUX TV IN A MIRROR

Lamp Type

F21T5 (34") x 2

Available Kelvin Temps

2700, 3000, 4100, 5350, 6500

- **Voltage:** 120
- **Ballast:** Electronic high power factor
- **Mounting:** Mounting holes (four provided for mounting to mechanically sound surface).
- **ETL Listed** for damp locations.
- Conforms to the Americans with Disabilities Act.

Options available - Consult factory

- 220-277 Volt
- Dimming ballast
- Magic Mirror
- 4 Lamps
- Recess mounting brackets
- Custom sizes



AAMSCO LIGHTING, INC.

100 Lamp Light Circle • Summerville, SC 29483
Toll Free: 1-800-221-9092 • Fax: 843-278-0001
www.aamsco.com

*AAMSCO is not responsible for typographical errors.
Accuracy of color is limited by the printing process.
All dimensions are nominal and subject to change
without notice. Please consult factory for verification.*